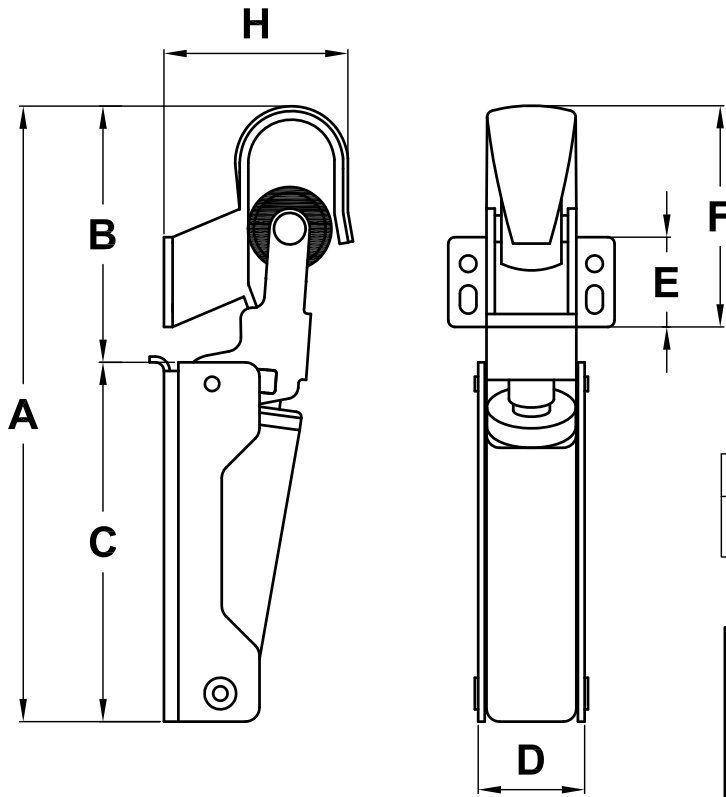


# Retenedor hidraulico Hydraulic retainer Mod. 1



A	B	C	D	E	F	G	H
183.5	75	108.5	32	27	66.5	49	64

